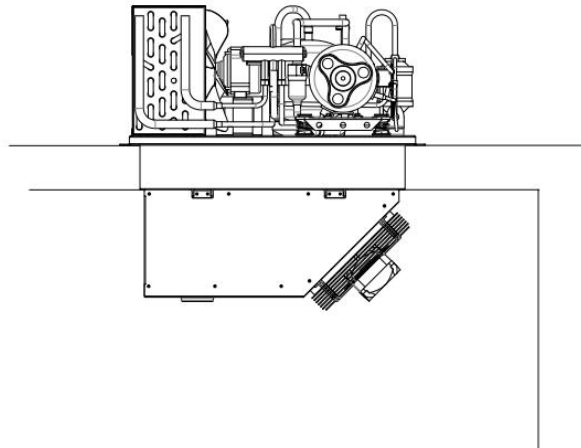
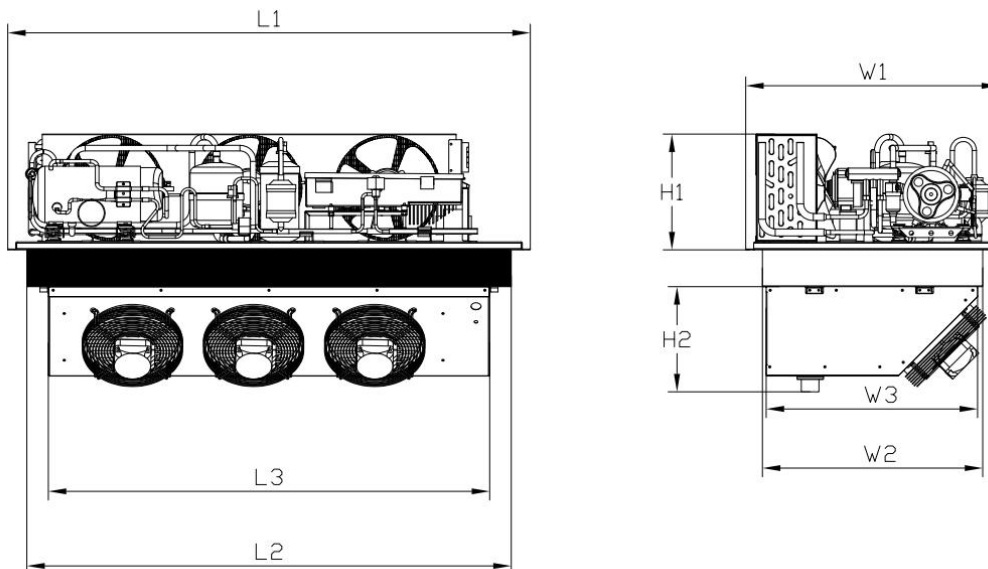


How to Install the Ceiling Mounted Refrigeration Unit?



- The monoblock refrigeration unit is mounted on the roof panel of the cold room or freezer room.
- Prepare a opening with suitable dimensions in the cold room roof panel (see pictures).
- The L2 and W2 is the opening dimension.
- Position the unit onto the cold room roof panel inserting the evaporator section in the opening.
- Fix the unit using the screws supplied.



Unit:mm

Model	L1	L2	L3	W1	W2	W3	H1	H2
GL-BYTDN10EL	937	870	762	522	460	400	263	242
GL-BYTDN20EL	1187	1110	1002	577	510	480	263	242
GL-BYTDN30EL	1347	1280	1152	607	540	510	263	242