



Top-mounted Monoblock Refrigeration Unit



Email: info@greehvacr.com

Phone(Whatsapp): 0086 15057108995

www.greehvacr.com or www.glenrefrigeration.com

Plug-in Top-mounted Monoblock Chilling Unit SAM11U

Model No.	SAM11U
Power supply	220V~240V/50HZ
Refrigerant	R290
Cooling type	Air fan cooling
Throttling way	Capillary

Work Condition

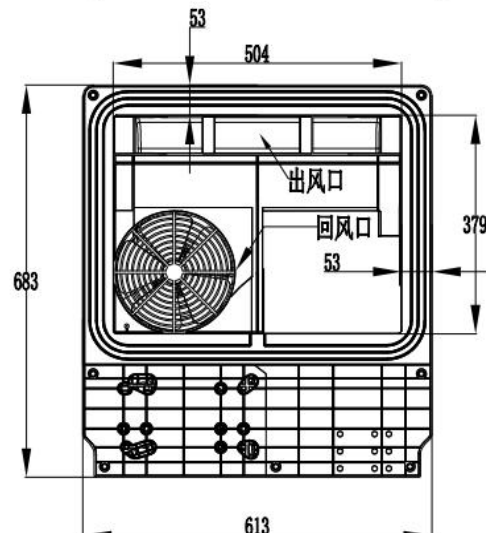
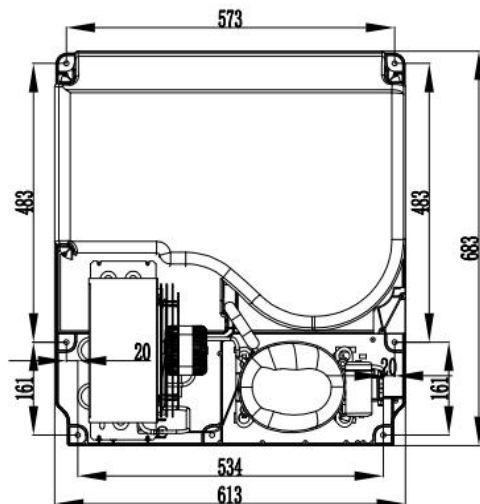
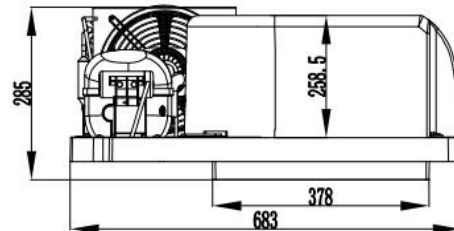
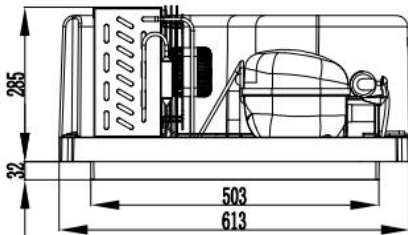
Ambient Temp./Humidity	32°C/RH60%
Evaporating Temp.	7.2°C
Voltage range	187V~254V
Condensing Temp.	54.4°C

Performance Parameter

Volume (1400)L	Capacity (W)	Input Power (W)	Current (A)
	≥95%	≤115%	≤110%
≤1400	1100	675	3.07

Temp. Control Setting

Item	Functions	Parameters
1	Stop Temp.	≥2°C
2	Restart Temp.	4°C
3	Compressor stop time	5 minites
4	Evaporating fan during defrosting	ON
5	Defrosting period	4 hours
6	Defrosting time	25 minites
7	Defrosting stop Temp.	10°C



Plug-in Top-mounted Monoblock Chilling Unit SAM7U

Model No.	SAM7U
Power supply	220V~240V/50HZ
Refrigerant	R290
Cooling type	Air fan cooling
Throttling way	Capillary

Work Condition

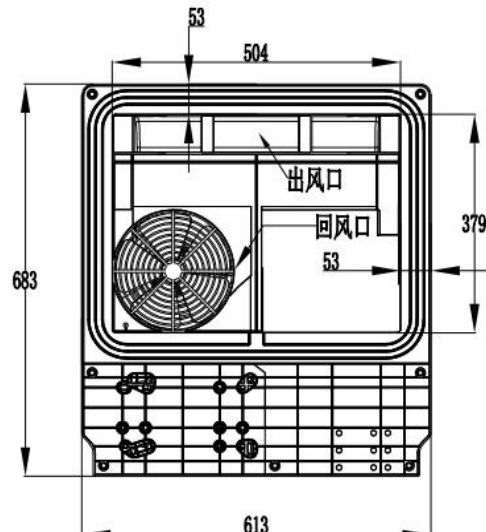
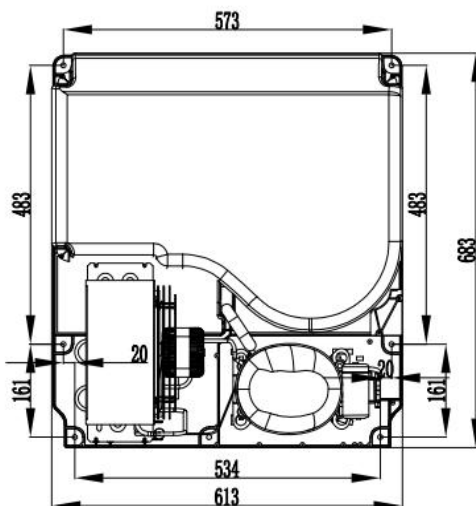
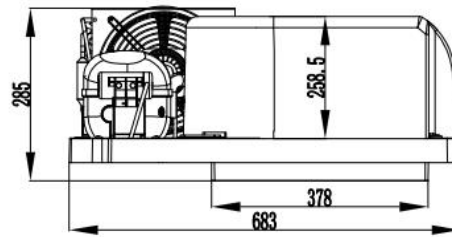
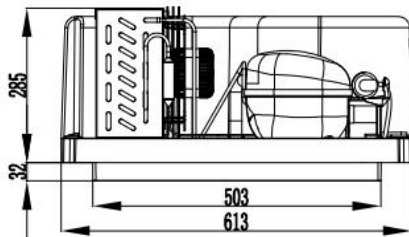
Ambient Temp./Humidity	32°C/RH60%
Evaporating Temp.	7.2°C
Voltage range	187V~254V
Condensing Temp.	54.4°C

Performance Parameter

Volume (700)L	Capacity (W)	Input Power (W)	Current (A)
		≥95%	≤115%
≤700	700	458	2.08

Temp. Control Setting

Item	Functions	Parameters
1	Stop Temp.	≥2°C
2	Restart Temp.	4°C
3	Compressor stop time	5 minites
4	Evaporating fan during defrosting	ON
5	Defrosting period	4 hours
6	Defrosting time	25 minites
7	Defrosting stop Temp.	10°C



Plug-in Top-mounted Monoblock Freezing Unit SAL10U

Model No.	SAL10U
Power supply	220V~240V/50HZ
Refrigerant	R290
Cooling type	Air fan cooling
Throttling way	Capillary

Work Condition

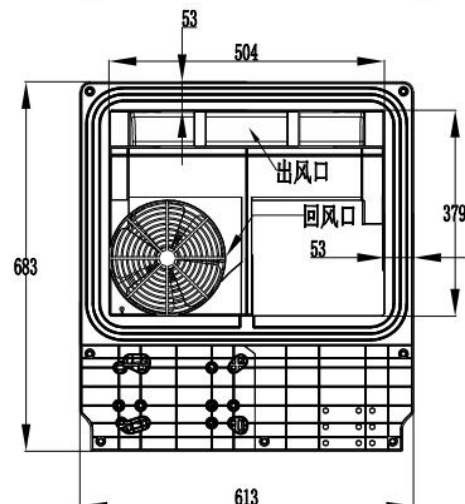
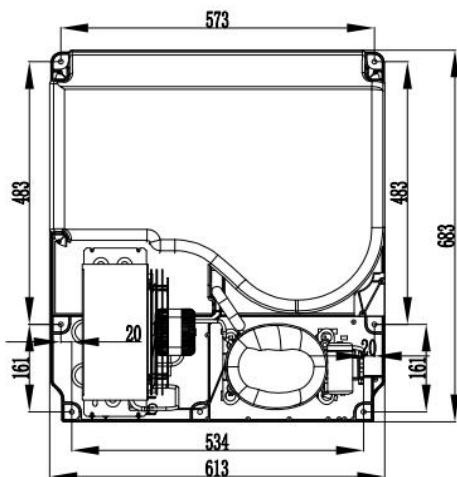
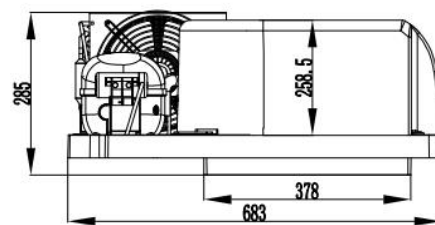
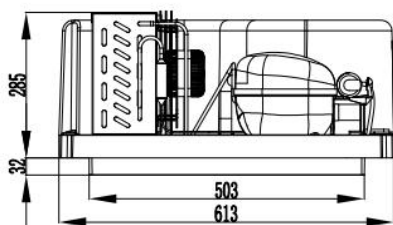
Ambient Temp./Humidity	32°C/RH60%
Evaporating Temp.	-23.3°C
Voltage range	187V~254V
Condensing Temp.	54.4°C

Performance Parameter

Volume (1400)L	Capacity (W)	Input Power (W)	Current (A)
	≥95%	≤115%	≤110%
≤1400	960	785	3.57

Temp. Control Setting

Defrosting with heater		
Item	Functions	Parameters
1	Stop Temp.	≥-22°C
2	Restart Temp.	4°C
3	Compressor stop time	5 minites
4	Evaporating fan during defrosting	OFF
5	Defrosting period	4 hours
6	Defrosting time	25 minites
7	Defrosting stop Temp.	12°C



Plug-in Top-mounted Monoblock Freezing Unit SAL5U

Model No.	SAL5U
Power supply	220V~240V/50HZ
Refrigerant	R290
Cooling type	Air fan cooling
Throttling way	Capillary

Work Condition

Ambient Temp./Humidity	32°C/RH60%
Evaporating Temp.	-23.3°C
Voltage range	187V~254V
Condensing Temp.	54.4°C

Performance Parameter

Volume (700)L	Capacity (W)	Input Power (W)	Current (A)
		≥95%	≤115%
≤700	539	400	1.82

Temp. Control Setting

Defrosting with heater		
Item	Functions	Parameters
1	Stop Temp.	≥-22°C
2	Restart Temp.	4°C
3	Compressor stop time	5 minites
4	Evaporating fan during defrosting	OFF
5	Defrosting period	4 hours
6	Defrosting time	25 minites
7	Defrosting stop Temp.	12°C

